



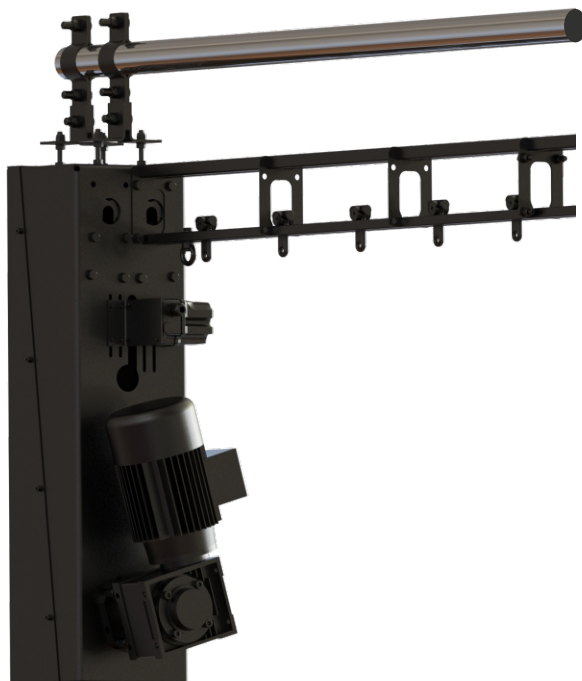
CURTAIN TRACK SYSTEM TR-6

DESCRIPTION

- Maximum curtain weight 200 kg
- Maximum aperture up to 20m
- Speed up to 0.5 m/s
- Operated by:
 - electrical winch
 - hand winch
 - pull rope
 - walk along
- Power 400V, 3Ph, 50 Hz, 0.55kW
- Steel wire D3mm - winch operated
- Rope D5-8mm - pull rope operated
- Limit switch for open/close position adjusting
- Wall or pipe fixing
- CE certified

OPTIONS

- Variable speed
- Several remote control button stations
- Radio remote control



PUSHBUTTON STATION



RADIO CONTROL "TELE-RADIO"



COMPANY CONTACT DETAILS

"WINWOOD" SIA
 Siguldas soseja 3D
 Bergi, LV-1024, Latvia

SALES AND GENERAL CONTACTS

Tel: +371 29 440 812
 Email: info@winwood.lv
 Website: www.winwood.lv



CURTAIN TRACK SYSTEM TR-6



COMPANY CONTACT DETAILS

"WINWOOD" SIA
Siguldas soseja 3D
Bergi, LV-1024, Latvia

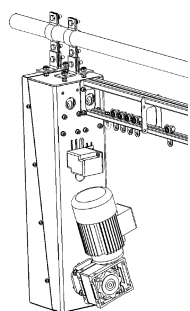
SALES AND GENERAL CONTACTS

Tel: +371 29 440 812
Email: info@winwood.lv
Website: www.winwood.lv



CURTAIN TRACK SYSTEM TR-6

WINCH OPERATED

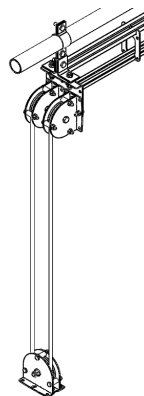


E/EV



H

PULLING ROPE OPERATED



P

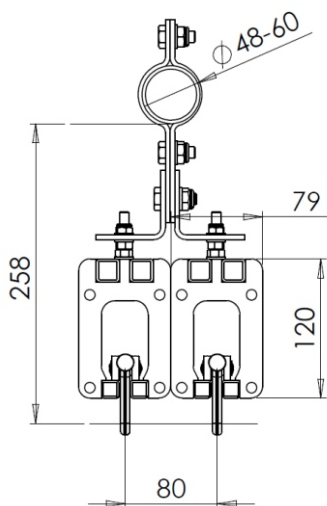


A



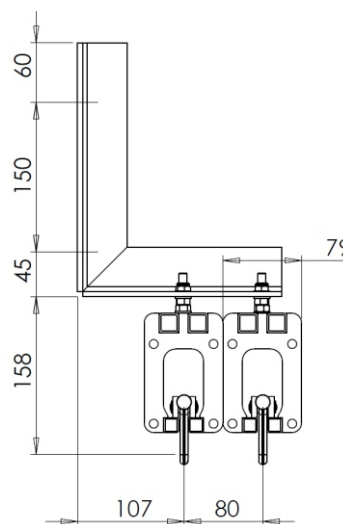
F

PIPE FIXING



PF

WALL FIXING



WF

COMPANY CONTACT DETAILS

"WINWOOD" SIA
 Siguldas soseja 3D
 Bergi, LV-1024, Latvia

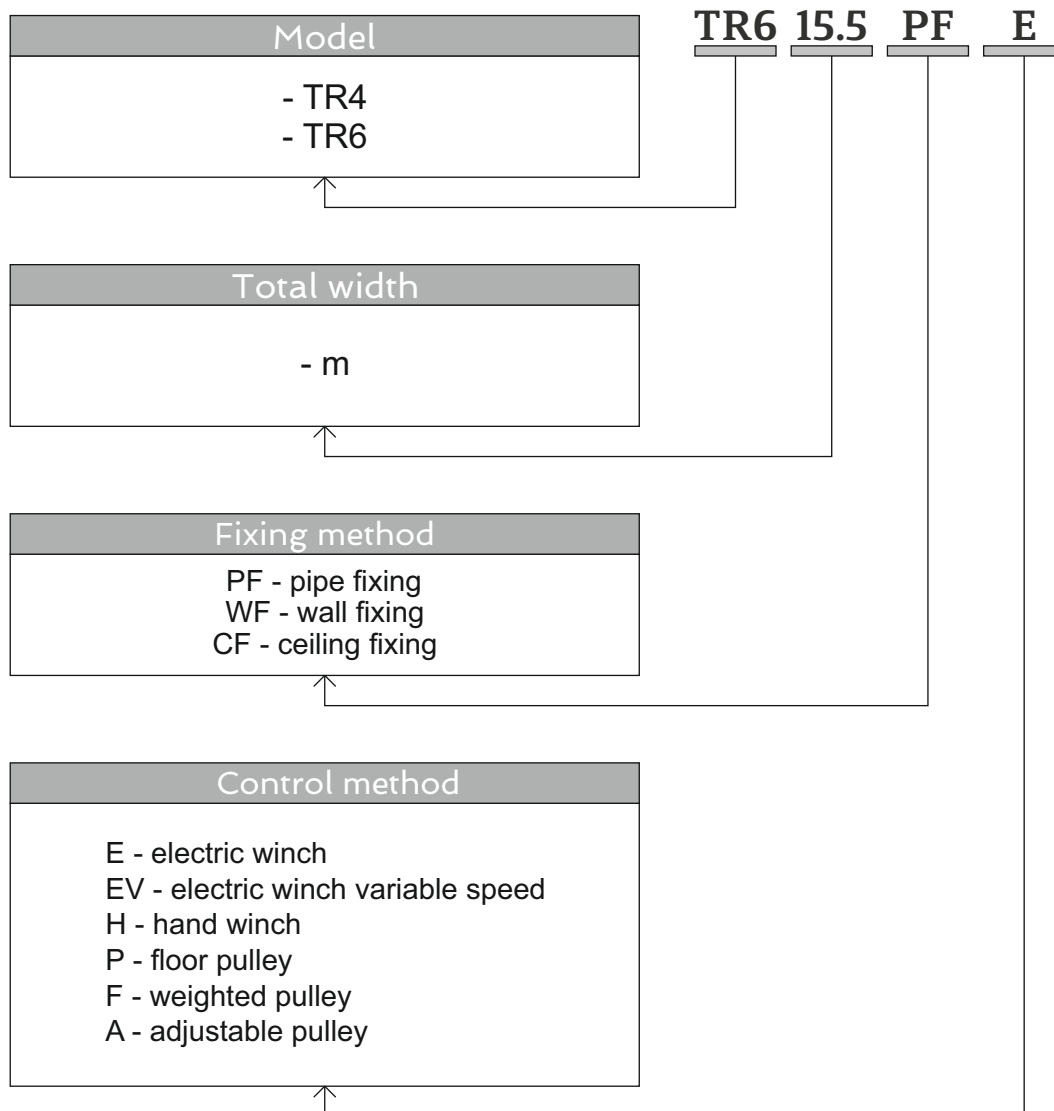
SALES AND GENERAL CONTACTS

Tel: +371 29 440 812
 Email: info@winwood.lv
 Website: www.winwood.lv



CURTAIN TRACK SYSTEM TR-6

ORDERING INFORMATION



COMPANY CONTACT DETAILS

"WINWOOD" SIA
 Siguldas soseja 3D
 Bergi, LV-1024, Latvia

SALES AND GENERAL CONTACTS

Tel: +371 29 440 812
 Email: info@winwood.lv
 Website: www.winwood.lv