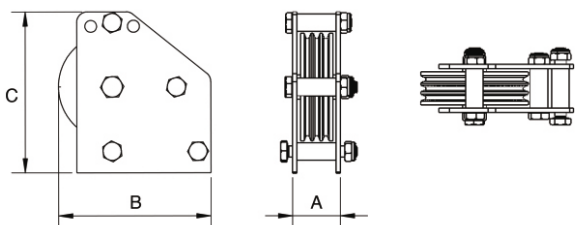




PULLEYS FOR PILEWIND WINCHES

DESCRIPTION

- Standard pulley range for 1-6 ropes
- Designed for machinery systems in theatres, schools etc
- Suitable for manual or motorised systems
- Smooth operation assured by two ball bearings
- Pulley wheels in black polyamide material with steel frame
- Lifting capacity 125 and 250kg
- Pulleys available on request for lifting capacity 500kg and 1000kg
- Standard & custom mounting brackets available



SPECIFICATION AND DIMENSIONS

TYPE	NO OF LINES	RATED LIFTING CAPACITY (kg)	MAX STEEL WIRE ROPE DIAMETER (mm)	A (mm)	B (mm)	C (mm)	WEIGHT (kg)
PU-100-1	1	125	4	36	142	150	1.8
PU-100-2	2	125	4	36	142	150	1.8
PU-100-3	3	125	4	44.5	142	150	1.8
PU-100-4	4	125	4	53	142	150	2.0
PU-100-5	5	125	4	61.5	142	150	2.0
PU-100-6	6	125	4	70	142	150	2.0
PU-150-1	1	250	6	36	167	200	2.3
PU-150-2	2	250	6	42	167	200	2.3
PU-150-3	3	250	6	54	167	200	2.7
PU-150-4	4	250	6	66	167	200	2.7
PU-150-5	5	250	6	78	167	200	3.1
PU-150-6	6	250	6	90	167	200	3.1

COMPANY CONTACT DETAILS

"WINWOOD" SIA
 Siguldas soseja 3D
 Bergi, LV-1024, Latvia

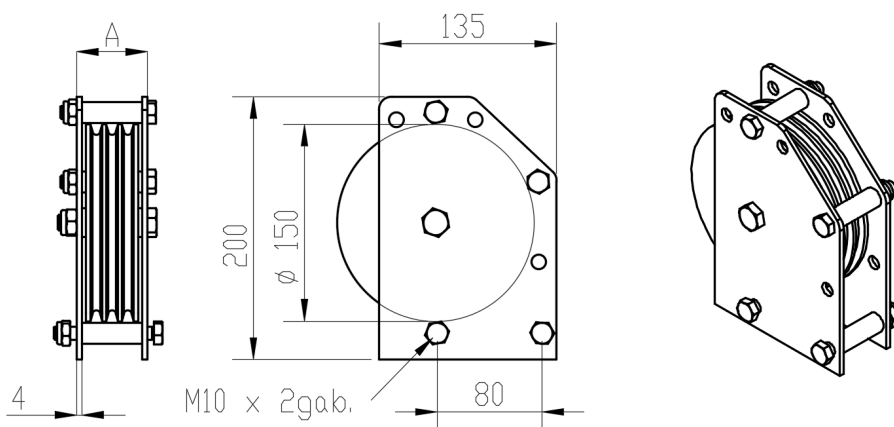
SALES AND GENERAL CONTACTS

Tel: +371 29 440 812
 Email: info@winwood.lv
 Website: www.winwood.lv



PULLEYS FOR PILEWIND WINCHES

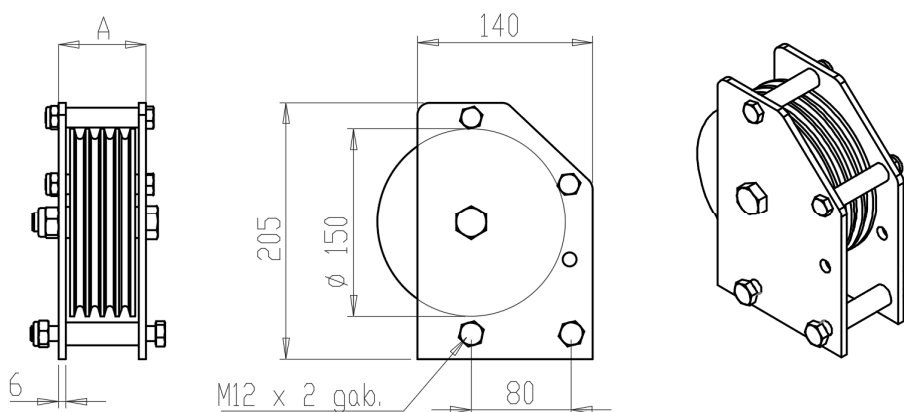
PU-150-1/6



- Safe working load 250Kg
- Number of lines – 1 - 6
- Wire rope diameter – 6mm
- Self weight – 2.3 – 3.1 Kg

MODEL	No. of ways	Dim A (mm)
PU-150-1	1	36
PU-150-2	2	42
PU-150-3	3	54
PU-150-4	4	66
PU-150-5	5	78
PU-150-6	6	90

PU-150-3/6-500



- Safe working load 500 Kg
- Number of lines – 3 - 6
- Wire rope diameter – 6mm
- Self weight ----Kg

MODEL	No. of ways	Dim A (mm)
PU-150-3-500	3	58
PU-150-4-500	4	70
PU-150-5-500	5	82
PU-150-6-500	6	94

COMPANY CONTACT DETAILS

"WINWOOD" SIA
 Siguldas soseja 3D
 Bergi, LV-1024, Latvia

SALES AND GENERAL CONTACTS

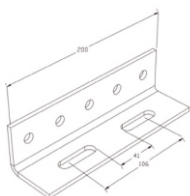
Tel: +371 29 440 812
 Email: info@winwood.lv
 Website: www.winwood.lv



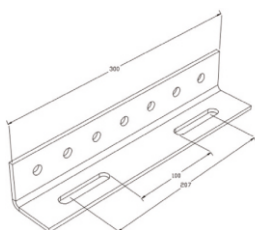
PULLEYS FOR PILEWIND WINCHES

PULLEY ADAPTORS FOR PU-100 AND PU-150

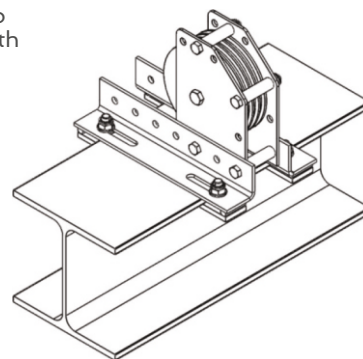
Pair of universal brackets designed for pulley fixing on steel girder - flange width 41-207mm. Exact distance of fixing holes on request – just specify dimensions A and B. No requirement to drill a beam. Position of the pulley can be adjusted and fixed securely with set of PUFNUT- 0 or PUFNUT-1_6. Several standard or custom solutions available.



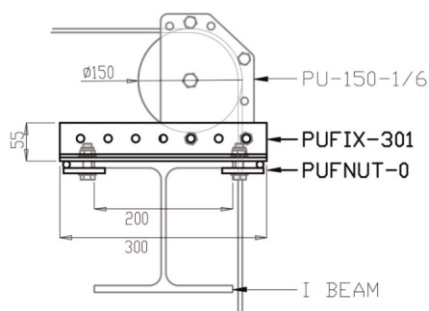
PUFIX-201



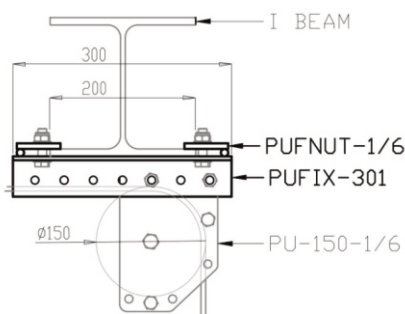
PUFIX-301



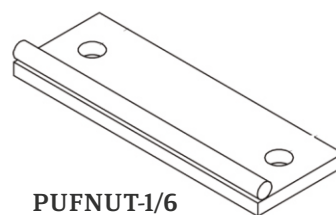
FIXING TYPE	SAFE WORKING LOAD	MINIMUM BEAM FLANGE DISTANCE	MAXIMUM BEAM FLANGE DISTANCE	OVERALL LENGTH
PUFIX-201	250kg	41mm	106mm	200mm
PUFIX-301	250kg	100mm	207mm	300mm



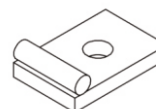
PULLEY FIXING ABOVE THE BEAM



PULLEY FIXING BELOW THE BEAM



PUFNUT-1/6

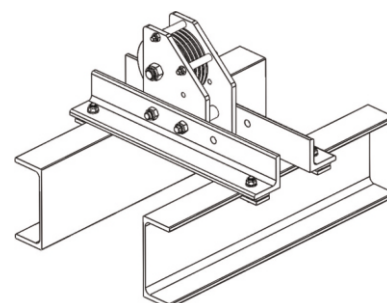


PUFNUT-0

FIXING TYPE	SAFE WORKING LOAD	PULLEY WIDTH (MUST SPECIFY AT TIME OF ORDER)	OVERALL WIDTH	PULLEY POSITION USE
PUNUT-0 (set of 4)	250kg	N/A	40mm	Pulley Above Beam Only
PUNUT-1/6 (set of 2)	250kg	101-155mm	146-200mm	Pulley Above or below

CUSTOM ADAPTORS

Heavy duty 500kg and 1000kg custom fixing brackets available on request for head pulleys PU-150-500 and PU-150-1000.



COMPANY CONTACT DETAILS

"WINWOOD" SIA
 Siguldas soseja 3D
 Bergi, LV-1024, Latvia

SALES AND GENERAL CONTACTS

Tel: +371 29 440 812
 Email: info@winwood.lv
 Website: www.winwood.lv