



CABLE GUIDE CAB-7

DESCRIPTION

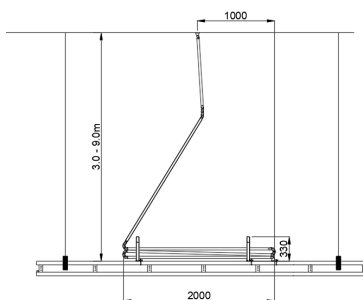
- Maximum height – 9m
- 2m elements
- Crossection 68x30mm
- Self weight 2.3 kg/m
- Cables weight 5kg/m
- Total cable weight up to 45 kg
- Black powder coating finish
- Fixing on pipe or truss
- Upper end fixing attachments for pipe, beam, truss, concrete
- Cable fixing on straight sections by plastic ties
- Plastic inserts in hinges
- CE certified

OPTIONS

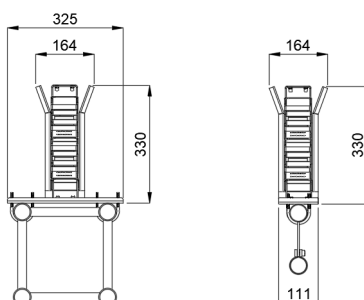
- Custom fixing solutions
- Custom length of straight elements
- Custom colour



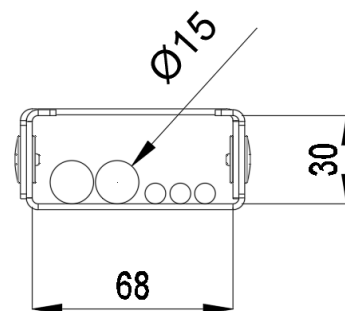
CAB-7 BY 2M ELEMENTS



MOUNTING



CROSSECTION



COMPANY CONTACT DETAILS

"WINWOOD" SIA
 Siguldas soseja 3D
 Bergi, LV-1024, Latvia

SALES AND GENERAL CONTACTS

Tel: +371 29 440 812
 Email: info@winwood.lv
 Website: www.winwood.lv